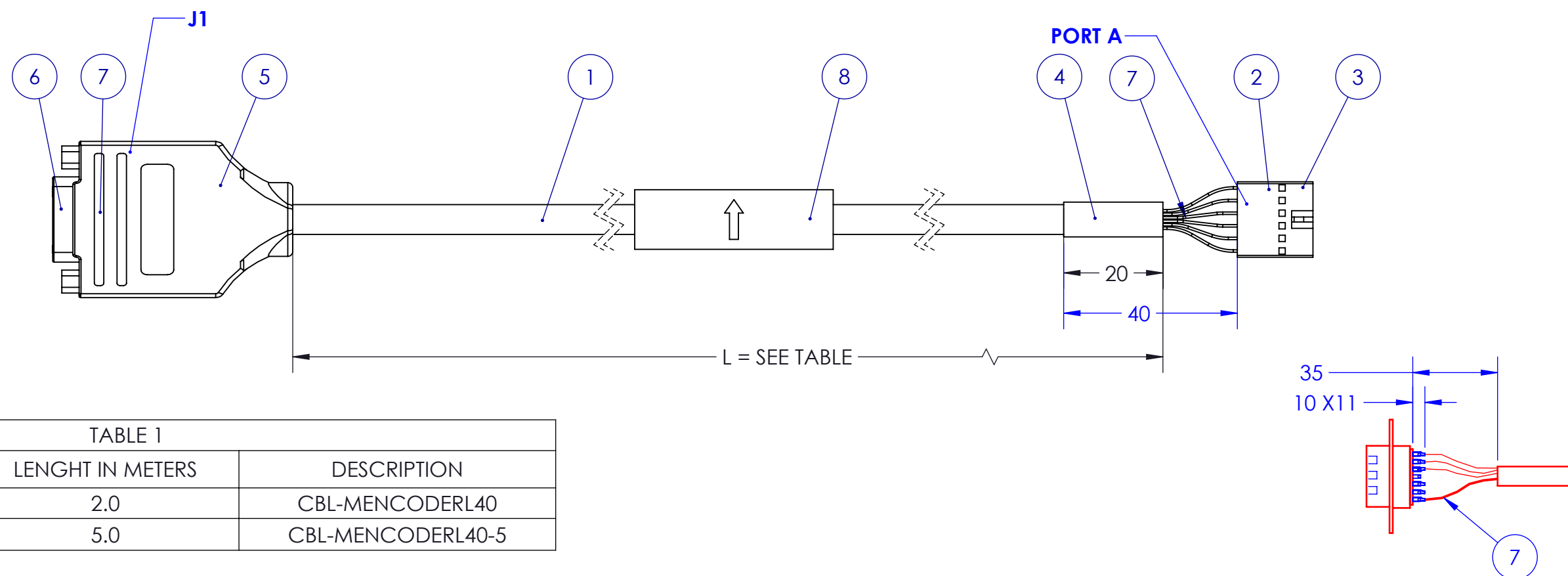
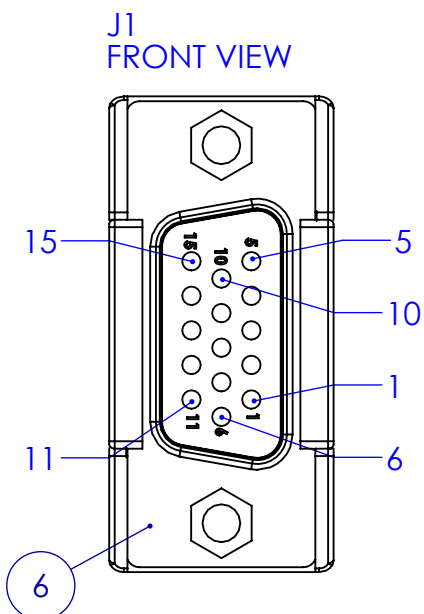
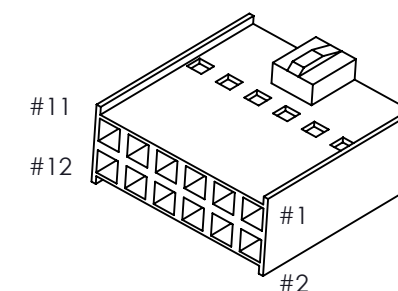


ECO NO.	REV.
ECO-07852	A
ECO-08211	B



ELMO P/N	LENGHT IN METERS	DESCRIPTION
CBL-MENCODERL40	2.0	CBL-MENCODERL40
CBL-MENCODERL40-5	5.0	CBL-MENCODERL40-5

FROM: J1 MOTOR CON.	TO: PORT A MOLEX	COLOR	TWISTED & SHIELDED WIRE	SIGNAL	DESCRIPTION
9	11	BLACK	PAIR 1	W/HC	HALL SENSOR C INPUT
10	10	VIOLET		V/HB	HALL SENSOR B INPUT
4	9	GREEN	PAIR 2*	U/HA	HALL SENSOR A INPUT
3	12	DRAIN WIRE		COMRET	DRAIN WIRE CONNECTION
2	2	BLUE	PAIR 3	COMRET	SUPPLY RETURN
1	1	RED		+5V	ENCODER \ HALL SUPPLY +5V
11	8	GREY	PAIR 4	INDEX-	INDEX COMPLEMENT
6	7	PINK		INDEX+	INDEX
12	6	GREY/PINK	PAIR 5	CHB-	CHANEL B COMPLEMENT
7	5	BLUE/RED		CHB	CHANNEL B+
13	4	WHITE	PAIR 6	CHA-	CHANEL A COMPLEMENT
8	3	BROWN		CHA	CHANNEL A+



NOTES:

1. SODERING THE WIRES TO J1.
2. SHRINK WIRE AFTER SOLDERING WITH ITEM 7.
3. COVER DRAIN WIRES WITH ITEM 7.

ITEM NO.	PART NUMBER	DESCRIPTION	QTY.
1	WIP-066X2X28	CABLE CONTROL 6X2X28AWG SF/UTP 30V	SEE TABLE 1
2	JCW-105712FC	2.54mm CRIMP CONNECTOR HOUSING, 12 PINS DUAL ROW	1
3	JCW-104601FC	CRIMP TERMINAL 2.54 HOUSING	12
4	STB-26350	BLACK SHRINK 1/4 "	20 mm.
5	JCC-2003090C	HOOD 9 PIN METAL	1
6	JCW-200215F58	D TYPE 15 PIN HD FEM NUT=5.8	1
7	STB-21170	BLACK SHRINK 3/64 "	190 mm.
8	LABEL	SEE TABLE 1.	1

ALL DIMENSIONS ARE IN MM.	RoHS Compliance				
	DO NOT MEASURE THE DRAWING.	DRAWN	A.C.	SIG	DATE
	ALL DIMENSIONS BEFORE COATING.	DESIGN	RamiCH		21/08/2014
	FILE NAME: MD-00638B.sldprt	CHECK			
APVD.		-			
TITLE			CBL FDBK D sub - Molex/ Port A		
PAGE: 1 OF: 1		SIZE A3	SCALE 1:1	DWG. NO. MD-00638	REV. B
		CAT. NO. CBL-MENCODERL40			