


(2)


PIN	FUNCTION	COLOR	WIRE GAGE
1	MOTOR U	YELLOW	18AWG
2	MOTOR V	RED	
3	MOTOR W	BLACK	
4	NC	NC	
5	NC	NC	
6	NC	NC	
+	MOTOR PE +	YELLOW/GREEN	18AWG



M17 7PIN

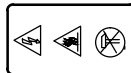
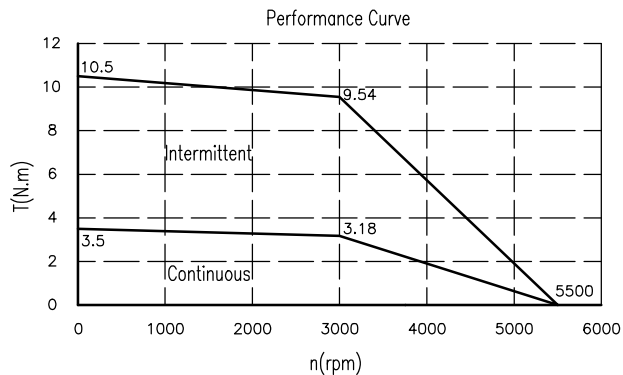
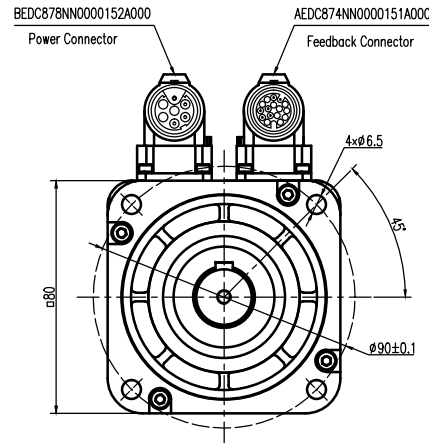
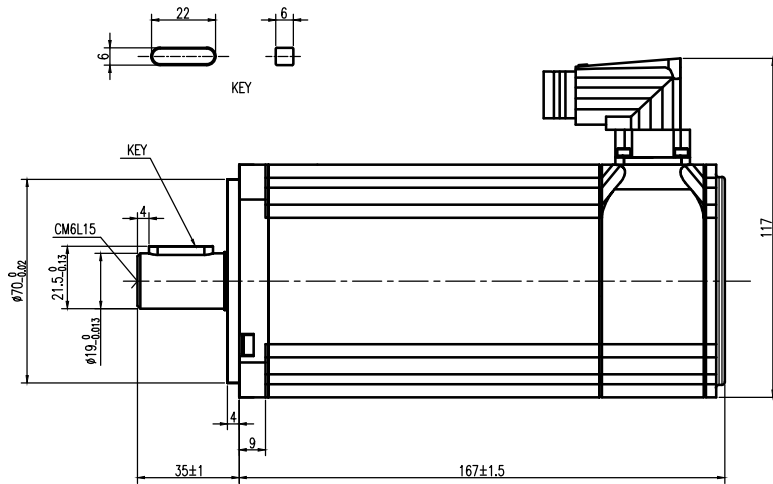
Connector Detail (Power Wire)

PIN	FUNCTION	COLOR	WIRE GAGE	PIN	FUNCTION	COLOR	WIRE GAGE
1	VCC +5V	WHITE	28AWG	10	GND	BROWN	28AWG
2	GND	BLACK					
3	Shield	Shield					
4	NC	NC					
5	NC	NC					
6	NC	NC					
7	KTY(+)	RED	26AWG	16	SD	BLUE	28AWG
8	KTY(-)	BLACK					
9	VB	ORANGE	28AWG				



M17 17PIN

Connector Detail (Feedback Wire)




Elmo DC BRUSHLESS MOTOR
L80-1003026ANC

Motion Control

W	1000	V	300
A	6.2	Nm	3.18
RPM	3000	Ins	F
		IP	IP65

S/N: 307011328KYYDDNNNN E505281



Technical Data										
No. of poles	6									
DC Link Voltage U_{dc} (DC Link)	300									
Rated Power P_n (W)	1000									
Rated Torque T_n (N.m)	3.18									
Rated Speed n_n (rpm)	3000									
Rated Current I_n (A)	6.2									
Maximum torque T_m (N.m)	9.54									
Maximum Current I_m (A)	18.6									
Standstill torque T_s (N.m)	3.5									
Standstill current I_s (A)	6.82									
Resistance line-line R_c (Ω)	0.86									
Inductance line-line L_c (mH)	4.5									
Electrical time constant τ_e (ms)	5.23									
Mechanical time constant τ_m (ms)	0.86									
Voltage constant K_v (V/krpm)	34									
Torque constant K_t (Nm/A)	0.562									
Rotor moment of inertia J_m (Kg.cm ²)	1.85									
Max. voltage rising du/dt (KV/ μ s)	8									
Insulation class	F									
Max. radial force F_r (N)	335									
Max. axial force F_a (N)	167.5									
Weight(Kg)	3.9									
Feed back device	MAR-H50A-HN20									
Temperature sensor	KTY84-130									
Cooling method	Totally enclosed non-ventilated									
protection level	IP65,shaft sealing IP54									
Environmental conditions	Temperature	-20 \circ C~40 \circ C								
	Humidity	Below 90%RH (No dewing)								
	Environment	Far away active gas,combustible gas,oil drop,ash.								
Rating conditions	Installation altitude	UP TO 1000m:rated power, above 1000m:1.5% power decreasing per 100m,max.4000m								
	Mounting	Aluminum flange 255x255x6mm								
	Temperature	60K housing temperature ring at 40 \circ C ambient								
REV	Description of Change	DESIGN	DATE	P/N.	307011328SS					
(2)	Change in DC bus voltage Add the wires gage for all wires Add the cable diameter to all cables Add the sign of CE Add the sign of aganist knock lable	REV	ECN NO.	DRN	APP'D	DATE	V.JL	2019-1-30	TITLE	Outside Drawing
		UNLESS OTHERWISE SPECIFIED TOLERANCES:		MATERIAL	CONTR.	CHECK	ZJB	2019-1-30	USED ON	L80-1003026ANC
		DECIMALS:	ANGULAR:			APPD	SL	2019-1-30	DWG NO.	REV
		.x	± 0.5							V2.0
		.xx	± 0.25							
		.xxx	± 0.1							
		UNIT: mm								
		DO NOT SCALE DRAWING								
		FIRST ANGLE PROJECTION								
		SCALE								
		SHEET								
		OF								
										ELMO MOTOR