

PIN	FUNCTION	WIRE GAGE
1	BRAKE (+) RED	24AWG
2	BRAKE (-) BLUE	



Connector Detail (Brake Wire)
Brake Wire Cable diameter 6mm

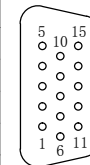
PIN	FUNCTION	WIRE GAGE
1	MOTOR U YELLOW	18AWG
2	MOTOR V RED	
3	MOTOR W BLACK	
4	MOTOR PE ± YELLOW/GREEN Shield	



Housing:H66L6-04P
Terminal:T66L6-B

Connector Detail (Power Wire)
Power Wire Cable diameter 7.5mm

PIN	FUNCTION	COLOR	WIRE GAGE	PIN	FUNCTION	COLOR	WIRE GAGE
1	VCC +5V	WHITE	28AWG	9	SD	BLUE	28AWG
2	GND	BLACK		10	NC	NC	
3	Shield	Shield	28AWG	11	NC	NC	DB 15M
4	VB	ORANGE		12	NC	NC	
5	GND	BROWN		13	NC	NC	
6	NC	NC		14	/SD	PURPLE	
7	NC	NC		15	NC	NC	
8	NC	NC					



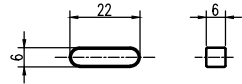
Connector Detail (Feedback Wire)
Feedback Wire Cable diameter 6mm

Brake Data

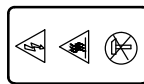
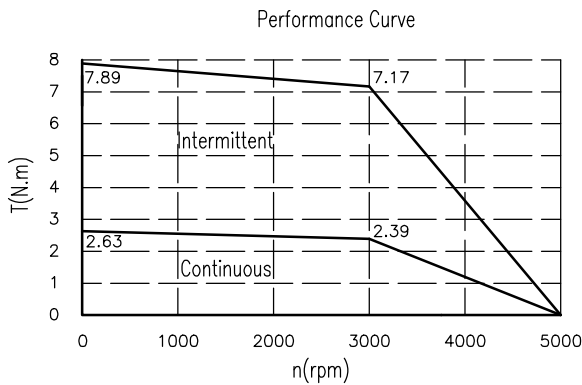
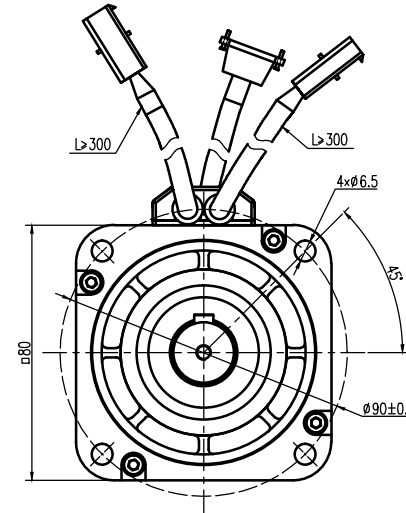
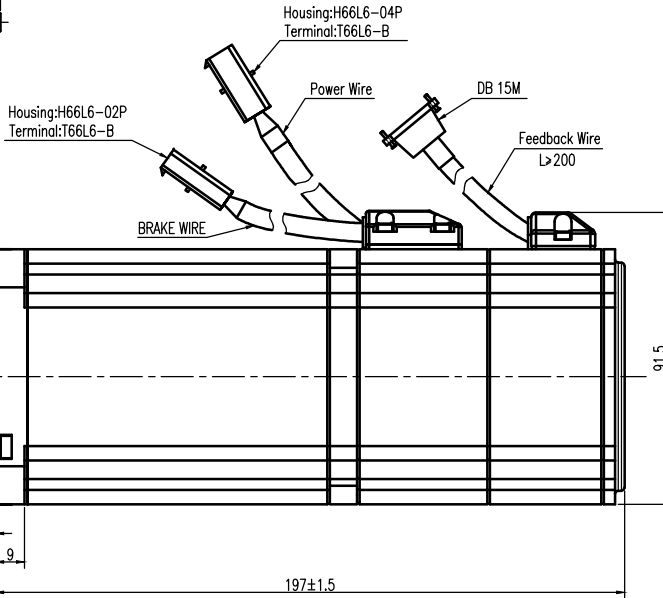
Static friction	3.2N.m
Voltage	24VDC
Power	11.5w

Technical Data

No. of poles	6
DC Link Voltage U_{dc} (DC Link)	300
Rated Power P_n (W)	750
Rated Torque T_n (N.m)	2.39
Rated Speed n_n (rpm)	3000
Rated Current I_n (A)	3.9
Maximum torque T_m (N.m)	7.17
Maximum Current I_m (A)	11.7
Standstill torque T_s (N.m)	2.63
Standstill current I_s (A)	4.29
Resistance line-line R_L (Ω)	1.4
Inductance line-line L_L (mH)	7.5
Electrical time constant τ_e (ms)	5.35
Mechanical time constant τ_m (ms)	0.75
Voltage constant K_e (V/krpm)	40
Torque constant K_t (Nm/A)	0.662
Rotor moment of inertia J_m (Kg.cm ²)	1.385
Max. voltage rising du/dt (KV/ μ s)	8
Insulation class	F
Max. radial force F_r (N)	335
Max. axial force F_a (N)	167.5
Weight(Kg)	4
Feed back device	MAR-H50A-HN20
Temperature sensor	n.a.
Cooling method	Totally enclosed non-ventilated
protection level	IP65,shaft sealing IP54



KEY



Elmo DC BRUSHLESS MOTOR
L80-753026ABL

W	750	V _{bc}	300
A	3.9	N _m	2.39
RPM	3000	Ins	F
		IP65	

Holding brake:24V_{DC} M=3.2Nm

MADE for Elmo by Kinavo CHINA
S/N: 307011333KYYDDNNNN

CE E505281

REV	Description of Change	REV	ECN NO.	DRN	APP'D	DATE	DESIGN	DATE	P/N.
V2.0	Change in DC bus voltage Add the wires gage for all wires Add the cable diameter to all cables Add the sign of CE Add the sign of aganist knock lable						VJL	2019-1-30	307011333SS
									Outside Drawing
							ZZB	2019-1-30	L80-753026ABL
							SL	2019-1-30	REV V2.0
									ELMO MOTOR