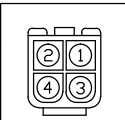


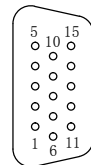
PIN	FUNCTION	COLOR	WIRE GAGE
1	MOTOR U	YELLOW	18AWG
2	MOTOR V	RED	
3	MOTOR W	BLACK	
4	MOTOR PE \perp	YELLOW/GREEN Shield	



Housing:H66L6-04P
Terminal:T66L6-B

Connector Detail (Power Wire)
Power Wire Cable diameter 7.5mm

PIN	FUNCTION	COLOR	WIRE GAGE	PIN	FUNCTION	COLOR	WIRE GAGE
1	DC +5V	RED	28AWG	9	W	GRAY/BLACK	28AWG
2	GND	BLACK		10	V	WHITE/BLACK	
3	Shield	Shield	11	/Z	YELLOW/BLACK		
4	U	BROWN/BLACK	12	/B	GREEN/BLACK		
5	/U	BROWN	13	/A	BLUE		
6	Z	YELLOW	14	/W	GRAY		
7	B	GREEN	15	/V	WHITE		
8	A	BLUE/BLACK					

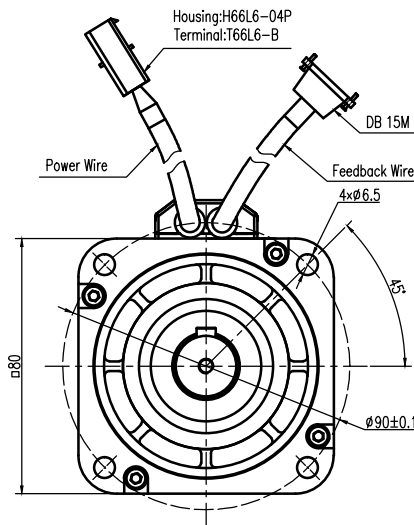
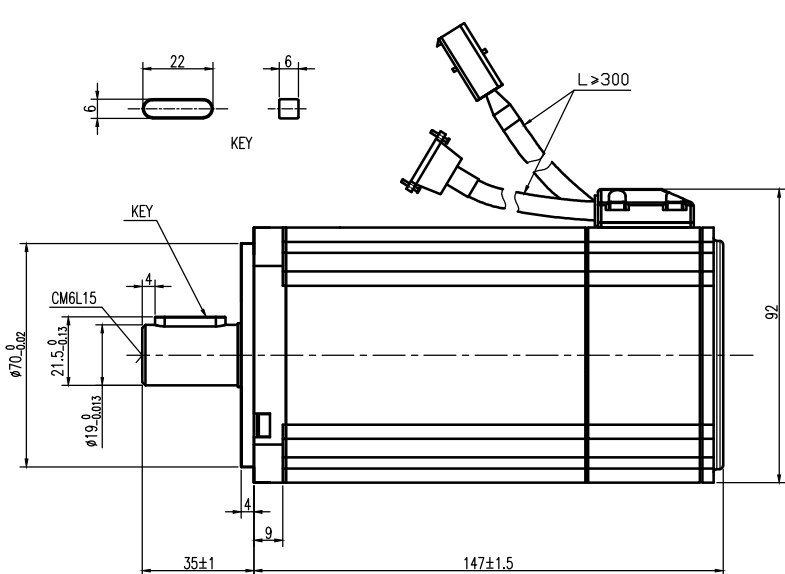


DB 15M

Connector Detail (Feedback Wire)
Feedback Wire Cable diameter 6mm

Technical Data

No. of poles	6	
DC Link Voltage U_{dc} (DC Link)	300	
Rated Power P_n (W)	750	
Rated Torque T_n (N.m)	2.39	
Rated Speed n_n (rpm)	3000	
Rated Current I_n (A)	3.9	
Maximum torque T_m (N.m)	7.17	
Maximum Current I_m (A)	11.7	
Standstill torque T_s (N.m)	2.63	
Standstill current I_s (A)	4.3	
Resistance line-line R_c (Ω)	1.4	
Inductance line-line L_c (mH)	7.5	
Electrical time constant τ_e (ms)	5.36	
Mechanical time constant τ_m (ms)	0.78	
Voltage constant K_e (V/krpm)	40	
Torque constant K_t (Nm/A)	0.662	
Rotor moment of inertia J_m (Kg.cm ²)	1.36	
Max. voltage rising du/dt (KV/ μ s)	8	
Insulation class	F	
Max. radial force F_r (N)	335	
Max. axial force F_a (N)	167.5	
Weight(Kg)	3.3	
Feed back device	2500p/rev incremental encoder TS6014N115	
Temperature sensor	n.a.	
Cooling method	Totally enclosed non-ventilated	
protection level	IP65,shaft sealing IP54	
Environmental conditions	Temperature	-20 \circ C~40 \circ C
	Humidity	Below 90%RH (No dewing)
	Environment	Far away active gas,combustible gas,oil drop,ash.
Rating conditions	Installation altitude	UP TO 1000m:rated power, above 1000m:1.5% power decreasing per 100m,max.4000m
	Mounting	Aluminum flange 255x255x6mm
	Temperature	60K housing temperature ring at 40 \circ C ambient

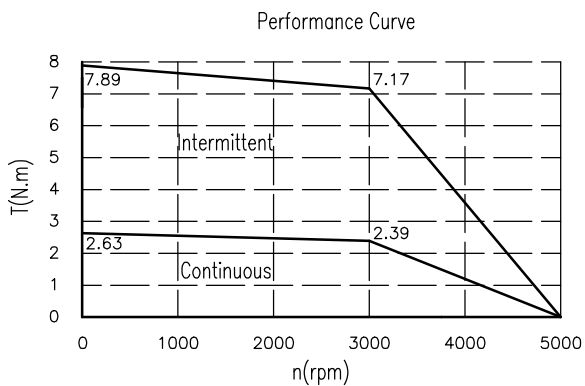
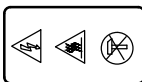


Elmo DC BRUSHLESS MOTOR
L80-753026ENL

W 750	V 300
A 3.9	Nm 2.39
RPM 3000	Ins F IP65

MADE for Elmo by Kinavo CHINA
S/N: 307011272KYYDDNNNN

CE E505281



REV	Description of Change	REV	ECN NO.	DRN	APP'D	DATE	DESIGN	DATE	P/N.
②	Change in DC bus voltage Add the wires gage for all wires Add the cable diameter to all cables Add the sign of CE Add the sign of aganist knock table						VJL	2019-1-30	307011272SS
									Outside Drawing
							ZZB	2019-1-30	L80-753026ENL
							SL	2019-1-30	REV V2.0
									ELMO MOTOR