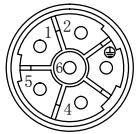


PIN	FUNCTION	COLOR
1	MOTOR U	YELLOW
2	MOTOR V	RED
3	MOTOR PE $\neq$	YELLOW/GREEN
4	MOTOR W	BLACK(14AWG)
5	Brake	BLACK(24AWG)
6	Brake	BLACK(24AWG)



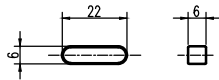
Power Connector

PIN	FUNCTION	COLOR	PIN	FUNCTION	COLOR
1	VCC +5V	WHITE	10	GND	BROWN
2	GND	BLACK(28AWG)	11	NC	NC
3	NC	NC	12	NC	NC
4	NC	NC	13	Shield	Shield
5	NC	NC	14	NC	NC
6	NC	NC	15	NC	NC
7	KTY(+)	RED	16	SD	BLUE
8	KTY(-)	BLACK(26AWG)	17	/SD	PURPLE
9	VB	ORANGE			

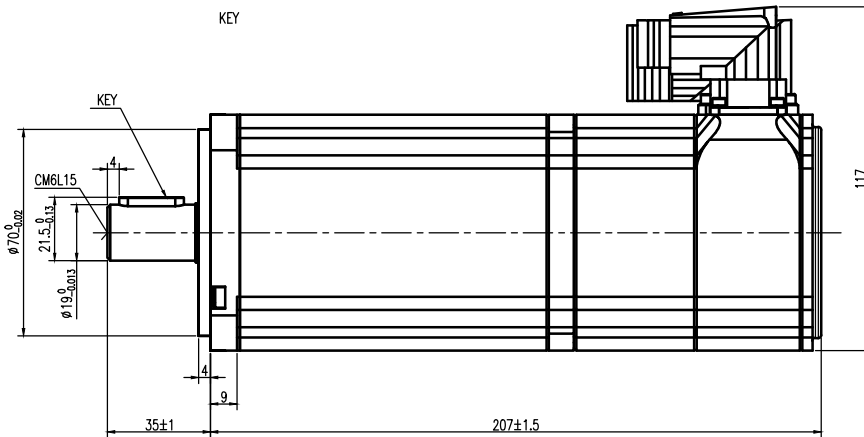


M17 17PIN

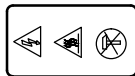
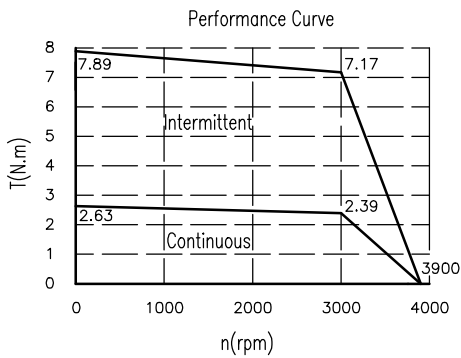
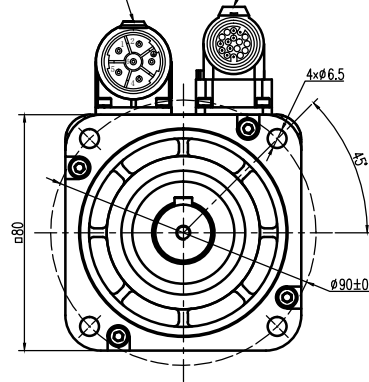
Feedback Connector



KEY



BEWC106NN0000207000 Power Connector  
AEDC874NN0000151A000 Feedback Connector



**Elmo** MOTOR CONTROL

DC BRUSHLESS MOTOR  
L80-7530A6ABC

W 750	V 48
A 19.4	Nm 2.39
RPM 3000	Ins F IP65
Holding brake: 24V <sub>DC</sub> M=3.2Nm	

MADE for Elmo by Kinavo CHINA  
S/N: 307011330KYDDNNNN

CE, UL, C-ROHS, E505281

Brake Data

Static friction	3.2N.m
Voltage	24VDC
Power	11.5w

Tecnical Data

No. of poles	6
Rated Voltage U <sub>n</sub> (V)	48
Rated Power P <sub>n</sub> (W)	750
Rated Torque T <sub>n</sub> (N.m)	2.39
Rated Speed n <sub>n</sub> (rpm)	3000
Rated Current I <sub>n</sub> (A)	19.4
Maximum torque T <sub>m</sub> (N.m)	7.17
Maximum Current I <sub>m</sub> (A)	58.2
Standstill torque T <sub>s</sub> (N.m)	2.63
Standstill current I <sub>s</sub> (A)	21.3
Resistance line-line R <sub>L</sub> ( $\Omega$ )	0.069
Inductance line-line L <sub>L</sub> (mH)	0.31
Electrical time constant $\tau_e$ (ms)	4.5
Mechanical time constant $\tau_m$ (ms)	0.95
Voltage constant K <sub>v</sub> (V/krpm)	8.2
Torque constant K <sub>t</sub> (Nm/A)	0.1356
Rotor moment of inertia J <sub>m</sub> (Kg.cm <sup>2</sup> )	1.462
Max. voltage rising du/dt(KV/ $\mu$ s)	8
Insulation class	F
Max. radial force F <sub>r</sub> (N)	335
Max. axial force F <sub>a</sub> (N)	167.5
Weight(Kg)	4
Feed back device	MAR-H50A-HN20
Temperature sensor	KTY84-130
Cooling method	Totally enclosed non-ventilated
protection level	IP65,shaft sealing IP54

Environmental conditions	Temperature	-20 $\pm$ -40 $\circ$ C
	Humidity	Below 90%RH (No dewing)
	Environment	Far away active gas, combustible gas, oil drop, ash.
Rating conditions	Installation altitude	UP TO 1000m rated power, above 1000m: 1.5% power decreasing per 100m, max. 4000m
	Mounting	Aluminum flange 255x255x6mm
	Temperature	60K housing temperature ring at 40 $\circ$ C ambient

REV	Description of Change	REV	ECN NO.	DRN	APP'D	DATE	DESIGN	DATE	P/N.
(2)	Change in DC bus voltage Add the wires gage for all wires Add the cable diameter to all cables Add the sign of CE Add the sign of aganist knock lable						VJL	2019-1-30	307011330SS
							CHECK		Outside Drawing
							ZZB	2019-1-30	USED ON
							APPD		L80-7530A6ABC
							SL	2019-1-30	DWG NO.
									REV V2.0
							FIRST ANGLE PROJECTION	SCALE	ELMO MOTOR
								SHEET OF	