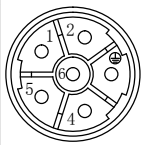


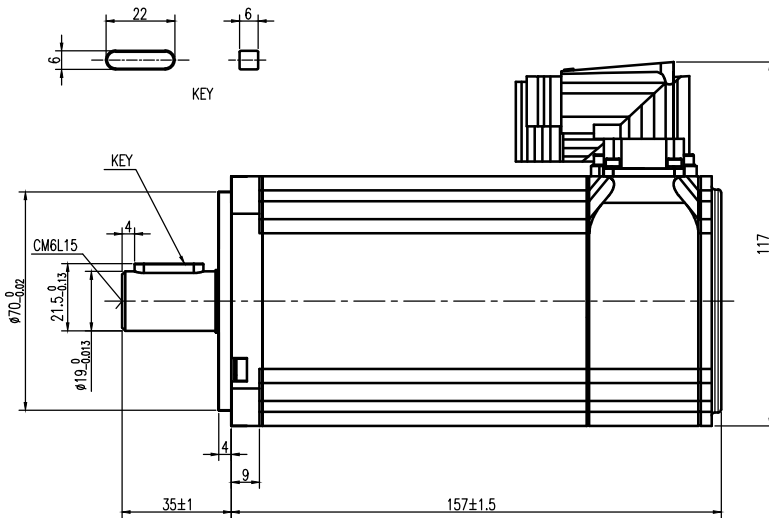
V2.0

PIN	FUNCTION	COLOR	WIRE GAGE
1	MOTOR U	YELLOW	14AWG
2	MOTOR V	RED	
3	MOTOR PE	YELLOW/GREEN	
4	MOTOR W	BLACK	
5	NC	NC	24AWG
6	NC	NC	




M23 6 PIN

Connector Detail (Power Wire)

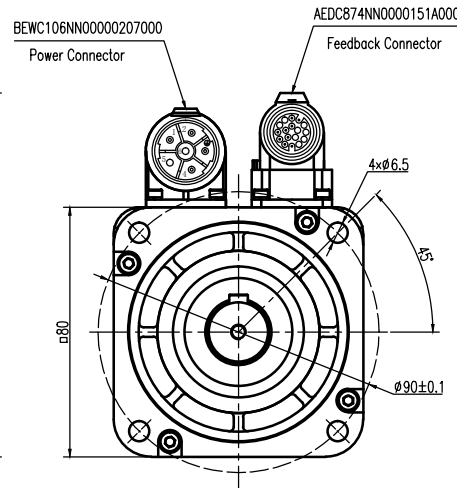


PIN	FUNCTION	COLOR	WIRE GAGE	PIN	FUNCTION	COLOR	WIRE GAGE
1	VCC +5V	WHITE	28AWG	10	GND	BROWN	28AWG
2	GND	BLACK		11	NC	NC	
3	Shield	Shield		12	NC	NC	
4	NC	NC	26AWG	13	NC	NC	28AWG
5	NC	NC		14	NC	NC	
6	NC	NC		15	NC	NC	
7	KTY(+)	RED	26AWG	16	SD	BLUE	28AWG
8	KTY(-)	BLACK		17	/SD	PURPLE	
9	VB	ORANGE	28AWG				



M17 17PIN

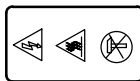
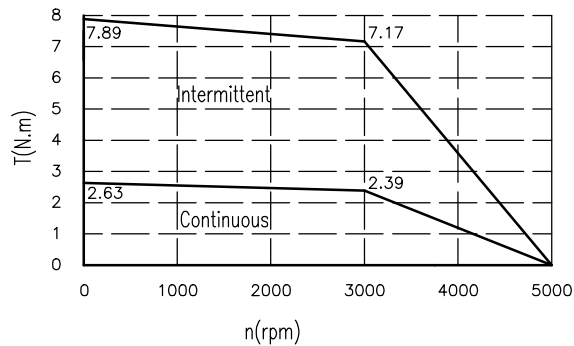
Connector Detail (Feedback Wire)



Technical Data

No. of poles	6	
Rated Voltage $U_n(V)$	48	
Rated Power $P_n(W)$	750	
Rated Torque $T_n(N.m)$	2.39	
Rated Speed $n_w(rpm)$	3000	
Rated Current $I_n(A)$	19.4	
Maximum torque $T_m(N.m)$	7.17	
Maximum Current $I_m(A)$	58.2	
Standstill torque $T_s(N.m)$	2.63	
Standstill current $I_s(A)$	21.3	
Resistance line-line $R_c(\Omega)$	0.069	
Inductance line-line $L_c(mH)$	0.31	
Electrical time constant $\tau_e(ms)$	4.5	
Mechanical time constant $\tau_m(ms)$	0.95	
Voltage constant $K_v(V/krpm)$	8.2	
Torque constant $K_t(Nm/A)$	0.1356	
Rotor moment of inertia $J_m(Kg.cm^2)$	1.414	
Max. voltage rising $du/dt(KV/\mu s)$	8	
Insulation class	F	
Max. radial force $F_r(N)$	335	
Max. axial force $F_a(N)$	167.5	
Weight(Kg)	3.4	
Feed back device	MAR-H50A-HN20	
Temperature sensor	KTY84-130	
Cooling method	Totally enclosed non-ventilated	
protection level	IP65,shaft sealing IP54	
Environmental conditions	Temperature	-20°C~40°C
	Humidity	Below 90%RH (No dewing)
	Environment	Far away active gas,combustible gas,oil drop,ash.
Rating conditions	Installation altitude	UP TO 1000m:rated power, above 1000m:1.5% power decreasing per 100m,max.4000m
	Mounting	Aluminum flange 25x25x6mm
	Temperature	60K housing temperature ring at 40°C ambient

Performance Curve



Elmo DC BRUSHLESS MOTOR
L80-7530A6ANC

W 750	V 48
A 19.4	Nm 2.39
RPM 3000	Ins F IP65

MADE for Elmo by Kinavo CHINA
S/N: 307011327KYYDDNNNN

CE, UL, E505281

REV	Description of Change	REV	ECN NO.	DRN	APP'D	DATE	DESIGN	DATE	P/N.
V2.0	Change in DC bus voltage Add the wires gage for all wires Add the cable diameter to all cables Add the sign of CE Add the sign of aganist knock lable						YJL	2019-1-30	307011327SS
			UNLESS OTHERWISE SPECIFIED TOLERANCES: DECIMALS: .x ±0.5 .xx ±0.25 .xxx ±0.1 UNIT: mm DO NOT SCALE DRAWING				ZZB	2019-1-30	Outside Drawing
							SL	2019-1-30	L80-7530A6ANC
									DWG NO. REV V2.0
									ELMO MOTOR