

ECO NO.	REV.
ECO 07824	A
ECO-08281	B

J1 FRONT VIEW

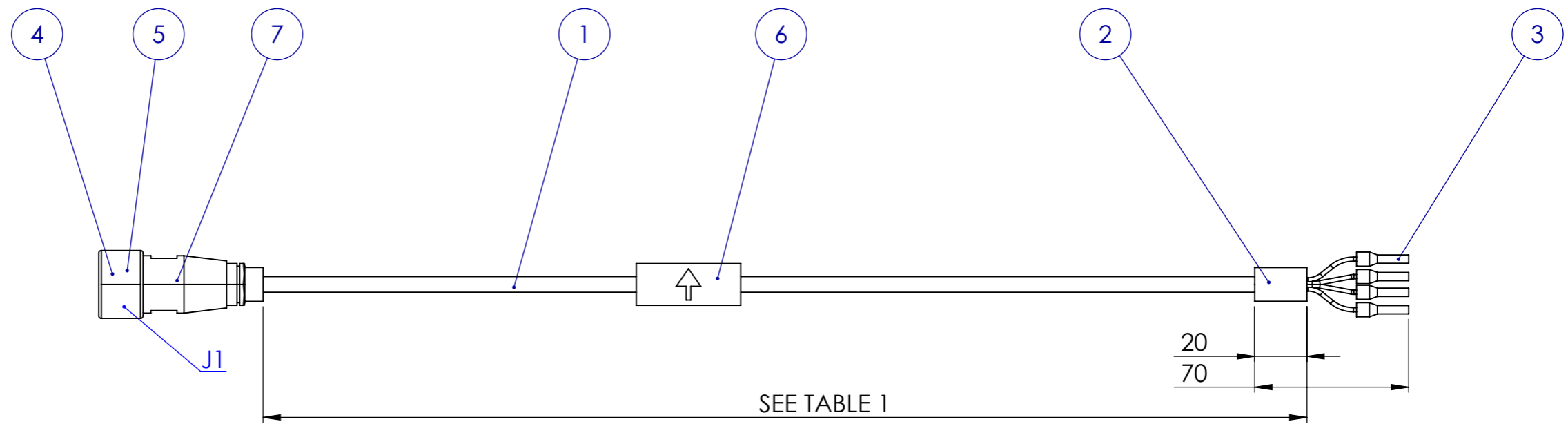
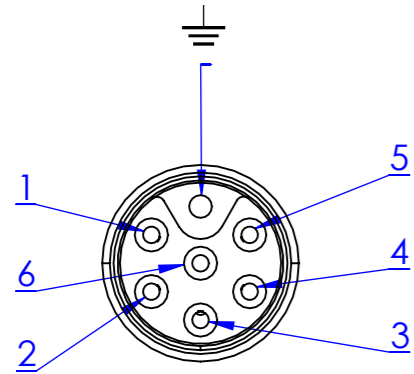


TABLE 1

ELMO P/N	LENGHT IN METERS	LABEL
CBL-PML80WOB300V	2.0 m	CBL-PML80WOB300V
CBL-PML80WOB300V-5	5.0 m	CBL-PML80WOB300V-5

COLOR	FROM J1	TO	SIGNAL
WHITE	1	ENDING FERRULE	M1
RED	2	ENDING FERRULE	M2
BLACK	3	ENDING FERRULE	M3
	4	NC	
	5	NC	
	6	NC	
GREEN	⏏	ENDING FERRULE	PE

ITEM NO.	PART NUMBER	DESCRIPTION	QTY.
1	WIP-024X18	18 AWG SINGLE CROSS OVER	1
2	STB-29520	BLACK SRINK 3/8 "	20mm
3	JCF-031516G0	ENDING FERRULE 16 #	4
4	JCW-M17P07A	M17 POWER CIRCULAR PLUG 7PINS INTERCONTEC P/N: BSTA880NN0086201A000	1
5	JCW-M17PCF1	M17 POWER CRIMP TERMINAL SPRING D=1MM FEMALE INTERCONTEC P/N: 60.159.11	4
6	LABEL	SEE TABLE 1.	1
7	STB-21170	BLACK SRINK 3/64"	4 x10 mm

NOTES: COVER EACH WIRE IN J1 , WITH ITEM 7

ALL DIMENSIONS ARE IN MM.

RoHS Compliance



DO NOT MEASURE THE DRAWING. ALL DIMENSIONS BEFORE COATING.

	NAME	SIG	DATE
DRAWN	A.C.		21/08/2014
DESIGN	RamiCh		21/08/2014
CHECK			
APVD.	-		-

TITLE Motor Cable, M17, 14A			
SIZE A3	SCALE 1:2	DWG. NO. MD-00635	REV. B
PAGE: 1	OF: 1	CAT. NO. CBL-PML80WOB300V	

FILE NAME: MD-00635B.sldprt